

Washer - Extractor Variofex 120 T

Standard equipment:

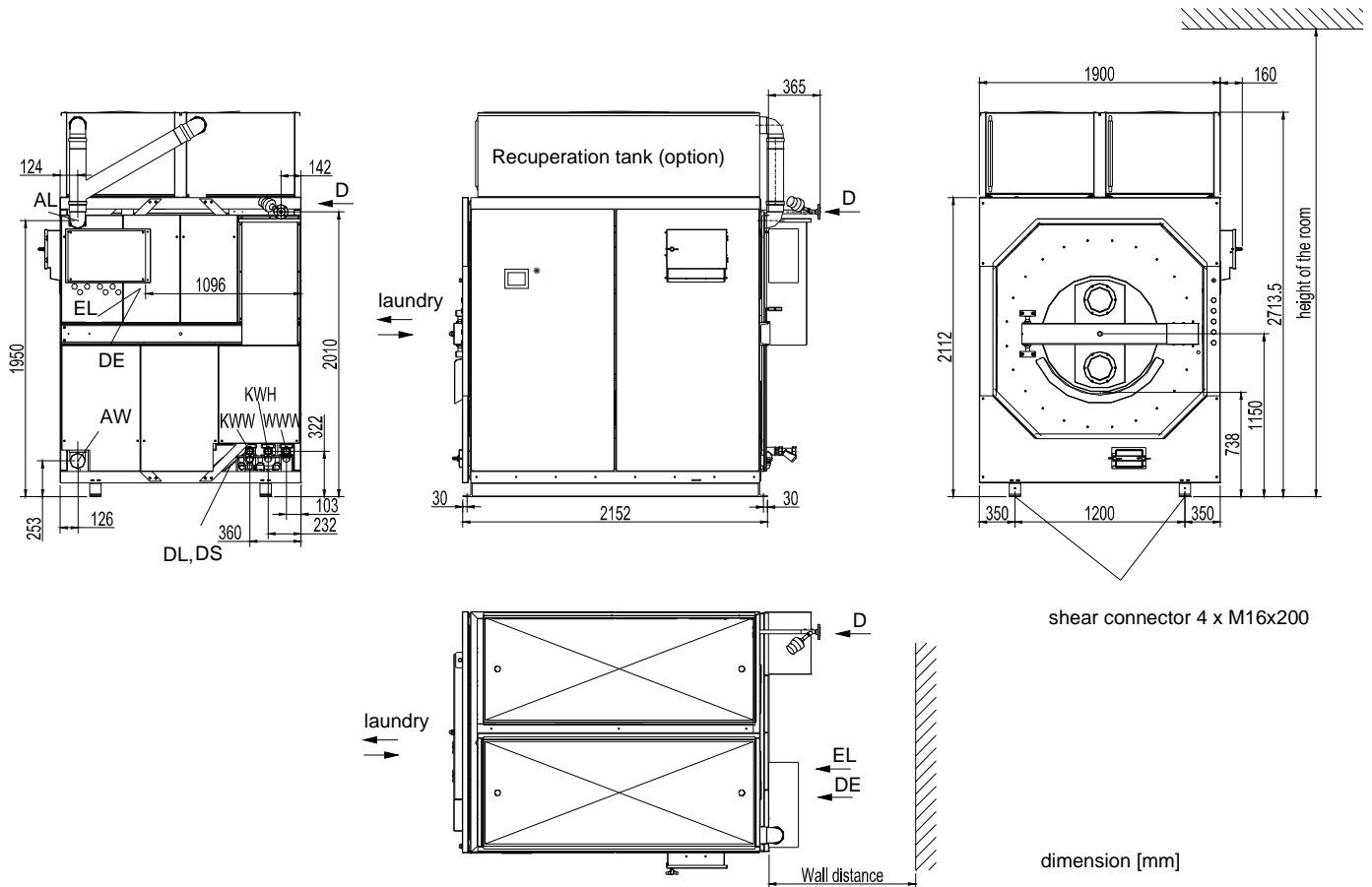
- Steam heating, direct, 3 – 13 bar with air-operated steam valve
- Frequency-controlled drive with infinitely variable drum speed for wash and extraction
- Electronic control with touch screen
- 3 removable flush-in hoppers for liquid and powdery detergents
- 1 connection point and up to 8 control facilities for dosing pumps
- Waste water pump with filter for foreign objects
- Water connections for 1 kind of water
- Colour: S+K - blue
- Operational data collection with interface to external data processing system



Optional Equipments:

- Steam heating, indirect, 3 – 13 bar with air-operated steam valve, without condensate trap
- Water connections for 2,3 kinds of water
- Liquor re-circulation system for WetClean or short liquor processes
- Tilting device
- 4 additional connection points for dosing pumps
- Recovery tanks on the top or connection to an external water recovery system
- PNEUMA-LOAD-System for automatic loading and barrier separation
- Software for programming and changing of washing programmes at customers PC
- Other options on request

| | | | |
|---|--|---|---|
| Loading capacity: (dry linen) | 100 [kg] | 110 [kg] | 120 [kg] |
| Filling ratio | 1:12 | 1:11 | 1:10 |
| Drum cylinder | Diameter 1250 [mm] | Depth 970 [mm] | Volume 1200 [l] |
| Rotating speed | Washing 15 – 30 [U/min] | Spinning 240 – 760 [U/min] | g-factor spinning 40 – 400 |
| Connected loads (The connected loads will be used shortly. The consumptions are much lower and are depending on wash-programmes) | | | |
| Electric Drive motor 25 [kW] | Fuse Drive motor 3 x 50 [A] | Electric heating - [kW] | Fuse Electric heating |
| Steam heating 3 -13 bar 450 [kg steam / h] | Water intake for any kind [300 l/min] *1 | Waste water max. 95 °C 325 [l/min] | Compressed air 5-7 bar 10 [l/min] |
| Emission | Noise at washing 50 [db(A)] | Noise at max. spinning speed < 70 [db(A)] | Heat rate 7,5 [kW] ² |
| Weights: | Weight of the empty machine 3000 [kg] | Max. weight with filled tank 5000 kg | Weight of the sea crate 550 [kg] |



If “Cold Water Hard” and / or “Hot Water Soft” are not available, please connect to “Cold Water Soft”.

| | | | |
|----|---|-----|--|
| EL | Electric connection, 3x400V / 50Hz | KWW | Cold water soft, female thread G 1 1/2 “ |
| D | Steam, flange DIN 2633, DN20 with oil circulation heating runback (option) | KWH | Cold water hard, female thread G 1 1/2 “, (option) |
| K | Condensate connection (indirect heating) flange DIN 2633, DN 20 (option) with oil circulation heating run forward(option) | WWW | Hot water soft (60°C-70°C), female thread G 1 1/2 “, (option) |
| AW | Waste water , HT-pipe DN 100 | DS | Detergent connection, 1x diameter 16 mm, 4x diameter 10 mm (Option) |
| DL | Compressed air, DN 8 | DE | Electric connection for detergent device 24 V DC for switching relay at site |

Entrance dimensions: Width 2000 [mm] Height 2200 [mm]

Wall distance: minimum 1000 mm,
 PNEUMA-LOAD Ø250: 1000 mm
 PNEUMA-LOAD Ø400: 1200 mm
 Recommended front space: 2000 mm
 Side spacement: not necessary

Room height: minimum 2200 mm,
 PNEUMA-LOAD Ø250: 2750 mm
 PNEUMA-LOAD Ø400: 3000 mm

*1 The minimum floating pressure for all kinds of water is 2.5 bar. Recommended water hardness: 2-6°dH.

*2 Average heat rate at a standard washing programme 60/90°C.

Subject to alterations